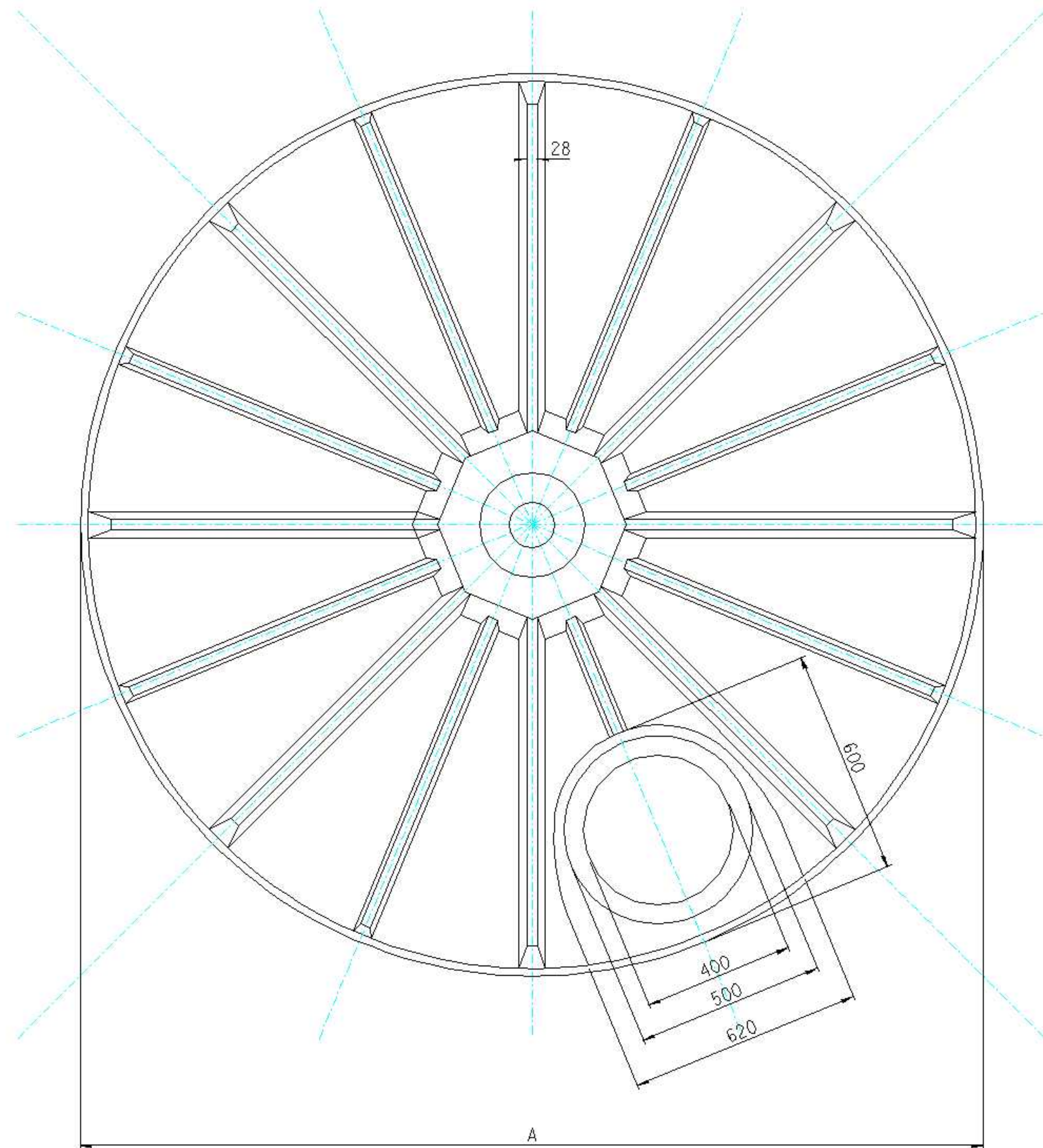
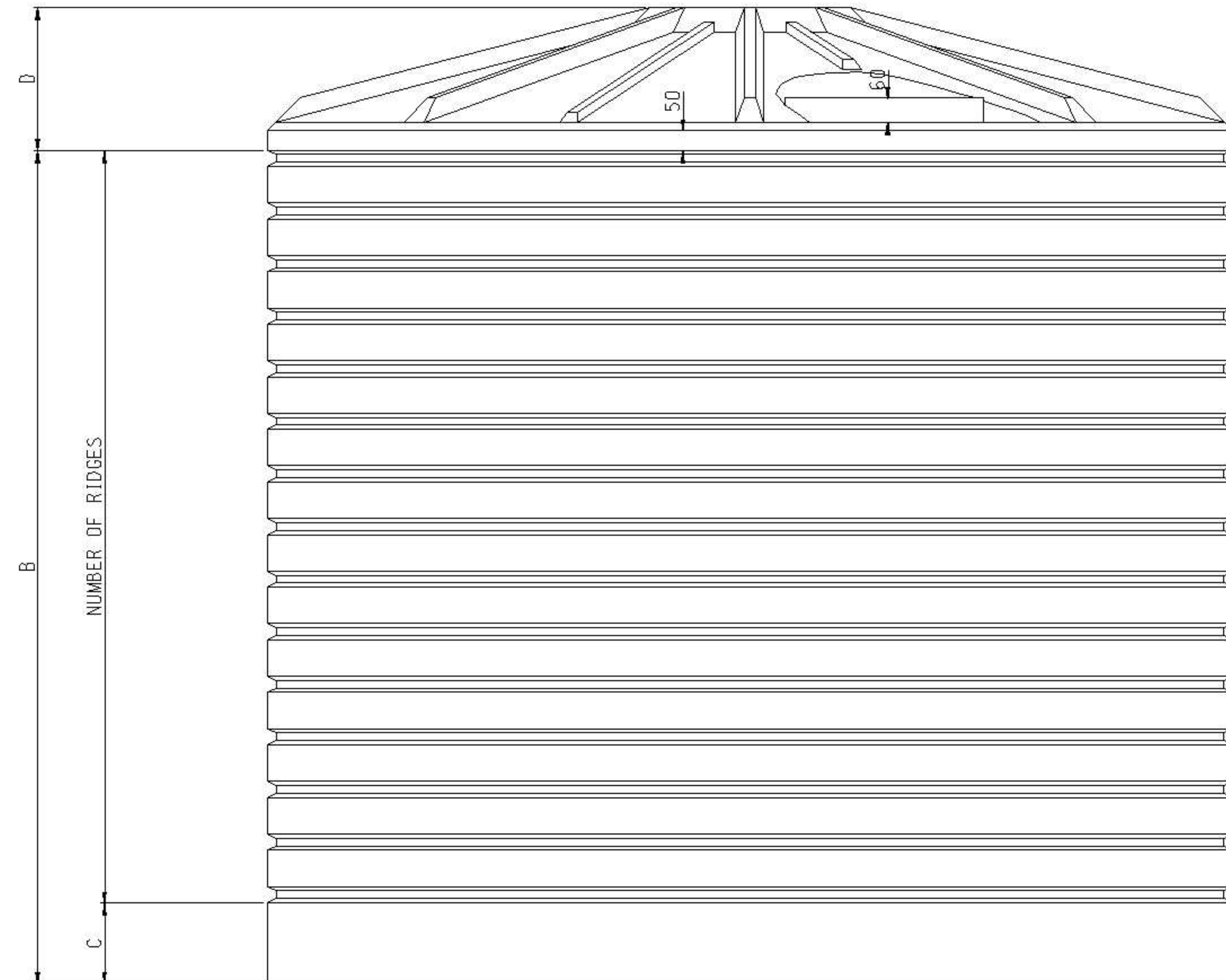


TANK SIZE	NUMBER OF RIDGES	A	B	C	D
1000 GALLON TANK	12	1800	1800	160	260
2000 GALLON TANK	14	2400	2100	200	270
3100 GALLON TANK	15	2900	2230	210	280
5100 GALLON TANK	16	3600	2350	210	290

NOTE: FLAT SPOTS FOR FITTINGS AT 12, 3, 6 & 9 O'CLOCK POSITIONS.



PLAN



SIDE ELEVATION



6-7 Uppasala Place
CANNING VALE W.A. 6155
Phone: (08) 9456 0677
Fax: (08) 9456 0676
www.tankwest.com.au

DRAWN	CADD5	10.12.02
TRACED		
CHECKED	GREG HOLMES	10.12.02
SUPT DRAFT		
PROJ. ENG.		
APPROVED		
APPROVED FOR CONSTRUCTION		

WCP TANK DIAGRAM
TANK SIZES
1000, 2000, 3100 & 5100 GALLONS
PLAN & ELEVATION

SCALE 1:10

DRAWING No
2003-096-08

REV
A

REV	BY	DATE	DESCRIPTION	CKD	APP
A	AM	10.12.02	AS BUILT FOR 2002		

SHEET SIZE A1

REVISONS

REVISONS